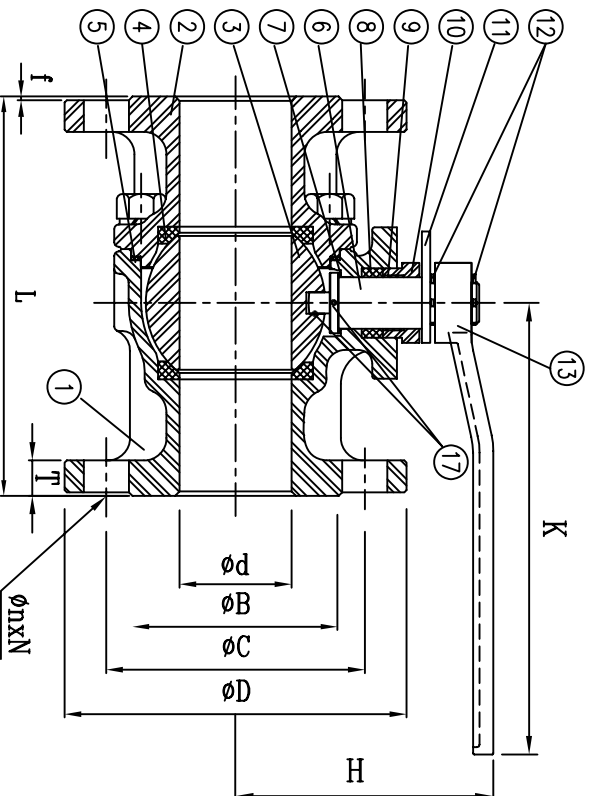
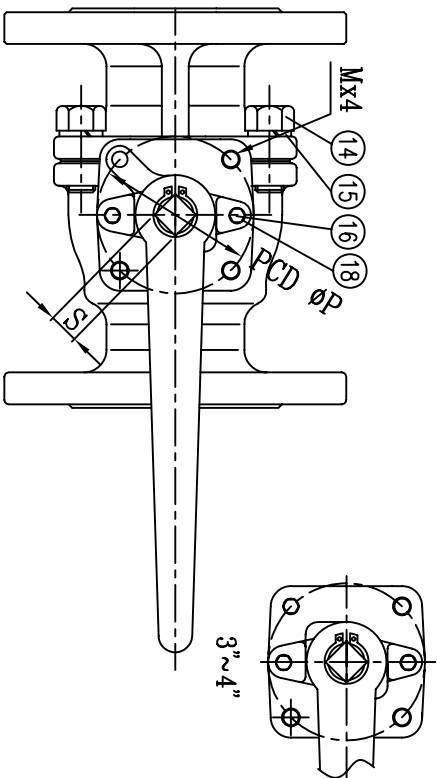


Fig.No. ZT-F603 Two Piece Flange Ball Valves JIS: 10K - FULL PORT

FEATURE & SPECIFICATIONS

- * Two piece design facilitates inspection and repair
- * Blow-out proof stem
- * Anti-Static design is standard

- * Temperature range: -20 to 450°F
- * Face to face: JIS B 2002
- * Flange dimensions: JIS B 2212
- * Pressure rating: JIS 10K



SIZE	φd	φB	φC	φD	K	L	T	f	φn	N	H	M	φP	S
1/2"	15	51	70	95	145	108	12	1	15	4	66	M5	42	9
3/4"	20	56	75	100	145	117	14	1	15	4	69	M5	42	9
1"	25	67	90	125	165	127	14	1	19	4	89	M6	50	11
1-1/4"	32	76	100	135	165	140	16	2	19	4	94	M6	50	11
1-1/2"	38	81	105	140	230	165	16	2	19	4	107	M8	70	17
2"	50	96	120	155	230	178	16	2	19	4	122	M8	70	17
2-1/2"	65	116	140	175	230	190	18	2	19	4	138.7	M8	70	17
3"	80	126	150	185	320	203	18	2	19	8	158	M10	102	22
4"	100	151	175	210	320	229	18	2	19	8	175	M10	102	22

UNIT:mm

NO.	PART NAME	MATERIAL		Q'TY
		STAINLESS STEEL		
1	BODY	SCS13,SCS14,SCS16		1
2	CAP	SCS13,SCS14,SCS16		1
3	BALL	SCS13,SCS14,SCS16		1
4	SEAT	PTFE		2
5	GASKET	PTFE		1
6	STEM	SS304,SS316,SS316L		1
7	THRUST WASHER	PTFE		1
8	PACKING	PTFE		3
9	STEM PACKING	PTFE		1
10	GLAND	SCS13		1
11	TRAVEL STOP	SS304		1
12	SNAP RING	SS304		2
13	HANDLE	FCD40		1
14	BOLTS	SS304		1/2~2=4
15	BOLT WASHER	SS304		2-1/2~3=6
16	BOLTS	SS304		4=8
17	STATIC DEVICE	SS304		2
18	WASHER	SS304		2

ZHE THAI MACHINERY CO.,LTD.