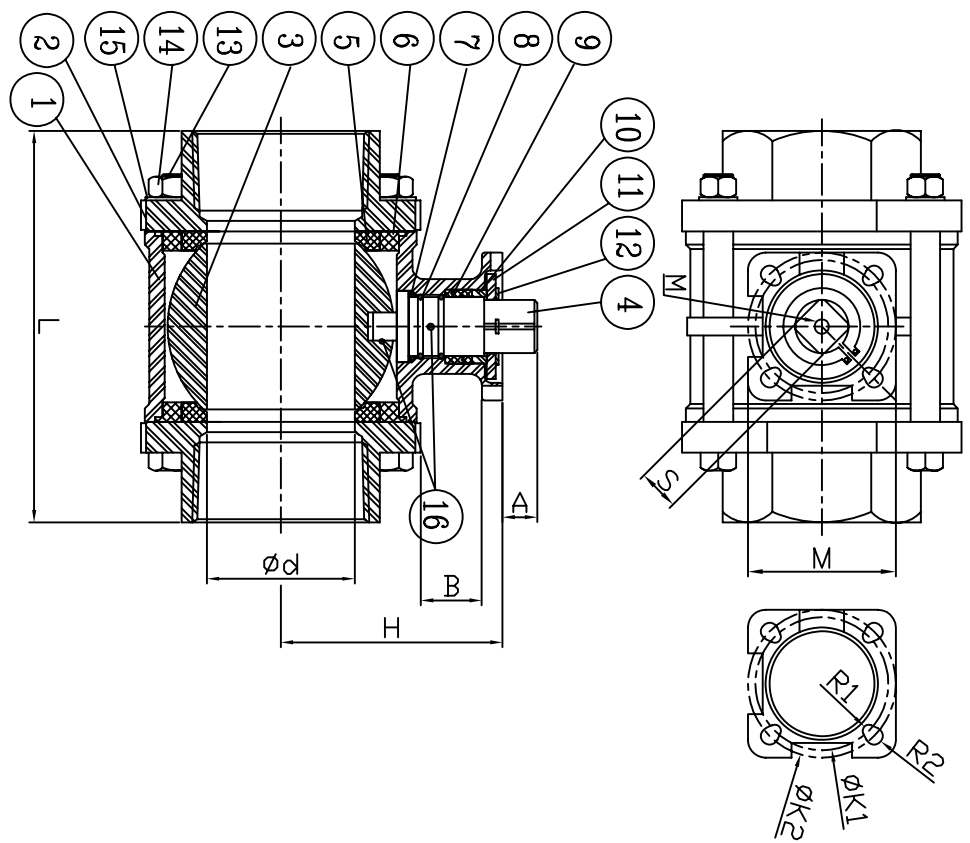


Fig.No. ZT-306 Three Piece Swing-out In-line Maintenance 1000PSI STAINLESS STEEL BALL VALVES - FULL PORT

FEATURE & SPECIFICATIONS

- * Direct-mounting of actuators to valves
- * For food and general chemical service applications
- * Adjustable stem pack
- * Blow-out proof stem design
- * Body and end caps quality investment casting
- * In-line repairable
- * Available in carbon or stainless steel body construction
- * 100% tested air under water, at 100psi, open and closed positions
- * Anti-Static design is standard



SPECIFICATIONS

- * Working pressure: 1/2"~2" 1000psi W.O.G
2-1/2"~3" 800psi W.O.G
4" 600psi W.O.G
- * Temperature Range: -20 to 450°F
- * End Type: Threaded
- * Podlocking device
- * Actuator mounting bracket

UNIT: mm

SIZE	Ød	L	H	A	S	M	ØK1	ØK2	R1	R2	B	M	
DN15	1/2"	15	65.5	43	9	9	42	36	42	3	3	16	1/4-20UNC
DN20	3/4"	20	79	46.5	9	9	42	36	42	3	3	16	1/4-20UNC
DN25	1"	25	86	50.3	11	11	50	42	50	3	3.5	17	1/4-20UNC
DN32	1-1/4"	32	105	55	11	11	50	42	50	3	3.5	17	1/4-20UNC
DN40	1-1/2"	38	120	67.5	14	14	70	50	70	3.5	4.5	21	1/4-20UNC
DN50	2"	50	133	75.5	14	14	70	50	70	3.5	4.5	21	1/4-20UNC
DN65	2-1/2"	65	163	95	17	17	102	70	102	4.5	5.5	27	1/4-20UNC
DN80	3"	80	183	105	17	17	102	70	102	4.5	5.5	27	1/4-20UNC
DN100	4"	100	228	126	22	22	125	102	125	5.5	6.5	23	5/16-18UNC

NO.	PART NAME	MATERIAL
		STAINLESS STEEL
1	BODY	ASTM A351 GR. CF8M
2	CAP	ASTM A351 GR. CF8M
3	BALL	ASTM A351 GR. CF8M
4	STEM	ASTM A276 TYPE 316
5	SEAT	PTFE
6	GASKET	PTFE
7	THRUST WASHER	POLYFILL TEFLON
8	O-RING	VITON
9	STEM PACKING	PTFE
10	GLAND RING	ASTM A276 TYPE 304
11	BEVEL WASHER	ASTM A276 TYPE 301
12	SNAP RING	ASTM A276 TYPE 304
13	BOLTS	ASTM A276 TYPE 304
14	BOLT NUTS	ASTM A276 TYPE 304
15	BOLT WASHERS	ASTM A276 TYPE 304
16	STATIC DEVICE	ASTM A276 TYPE 304

ZHE THAI MACHINERY CO.,LTD.