

Fig.No. ZT-204 Two Piece Screwed Body

2000 PSI STAINLESS/CARBON STEEL BALL VALVES – STANDARD PORT

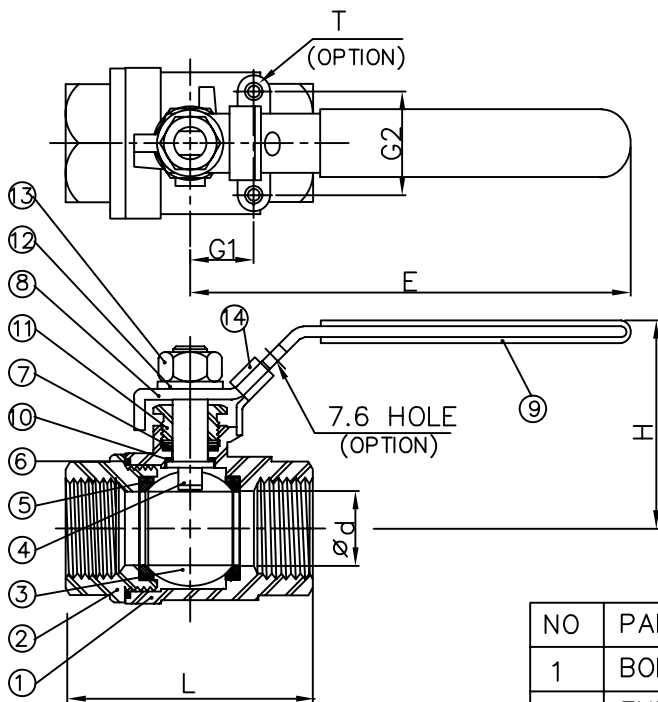
- * For food and general chemical service applications
- * Adjustable stem packing
- * Blow-out proof stem design
- * Body and end caps quality investment casting
- * Available in carbon or stainless steel body construction
- * Designed for easy actuator mounting
- * 100% tested by air under water, at 100psi, open and closed positions

SPECIFICATIONS

- * Working pressure: 1/4"~1" 2000 psi W.O.G
1-1/4"~2" 1500 psi W.O.G
- * Temperature Range: -20° to 450°F
- * End Type: Threaded

OPTIONS

- * Padlocking device



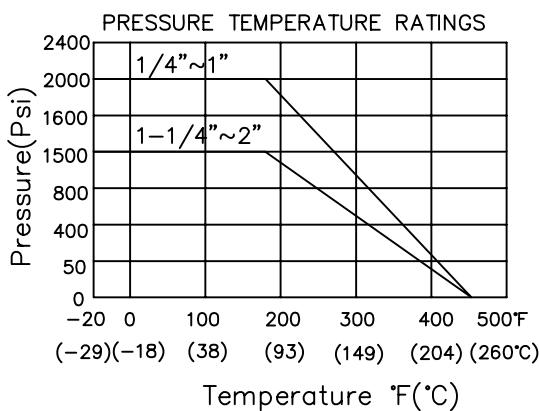
DIMENSIONS (mm)

SIZE	∅D	L	H	E	G1	G2	T (UNC)	W(kg)
1/4"	9.5	52	55	100	12.7	28.5	3/16-24	0.24
3/8"	9.5	52	55	100	12.7	28.5	3/16-24	0.22
1/2"	12.7	64	58	100	12.7	28.5	3/16-24	0.28
3/4"	15	71	60	130	22.4	36.0	3/16-24	0.48
1"	20	86	64	130	22.4	36.0	3/16-24	0.72
1-1/4"	25	94	66	165	22.4	36.0	3/16-24	1.12
1-1/2"	32	102	79	165	25.4	38.1	1/4-20	1.48
2"	38.1	117	83	190	25.4	38.1	1/4-20	2.22

MATERIALS LIST

NO	PART NAME	SPECIFICATION
1	BODY	ASTM A351 GR.CF8M/A216 WCB
2	END CAP	ASTM A351 GR.CF8M/A216 WCB
3	BALL	ASTM A351 GR.CF8M/CF8
4	STEM	SS316
5	BALL SEATS	RPTFE
6	END SEAL	PTFE
7	STEM PACKINGS	PTFE
8	HANDLE	SS304
9	HANDLE SLEEVE	VINYL GRIP
10	THRUST WASHER	PTFE
11	GLAND	SS304
12	HANDLE WASHER	SS304
13	HANDLE NUT	SS304
*14	LOCKING PLATE	SS304

* OPTIONAL



ZHE THAI MACHINERY CO., LTD.